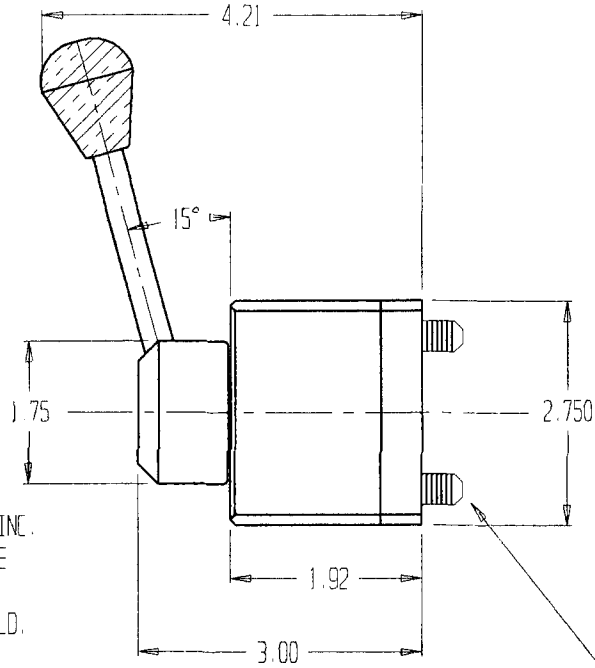
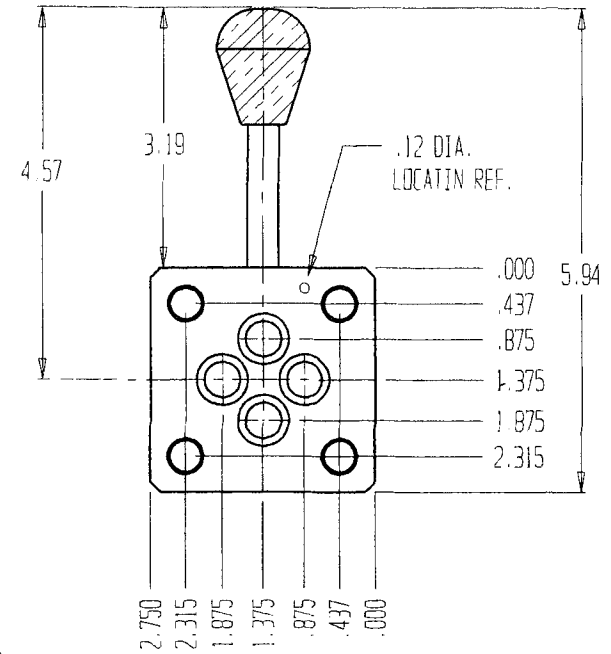


TR ENGINEERING INC.
DCL SERIES VALVE
0 - 3 K P.S.I.
SUB PLT. MANIFOLD
07/09
INSTALLATION DRAWING.



3/8 - 16 HIGH STRENGTH MOUNTING BOLTS
SUPPLIED.



NOTE: DC SERIES VALVES SHIP FROM
FACTORY WITH HANDLE POSITION OVER (T)
PORT
NOTE: ON MANIFOLD BASE DC VALVES,
PORT I.D. STAMP ON (P) AND (T)
PORT ONLY !! (A AND B REF. ONLY)