

8

7

6

5

4

3

2

1

D

D

C

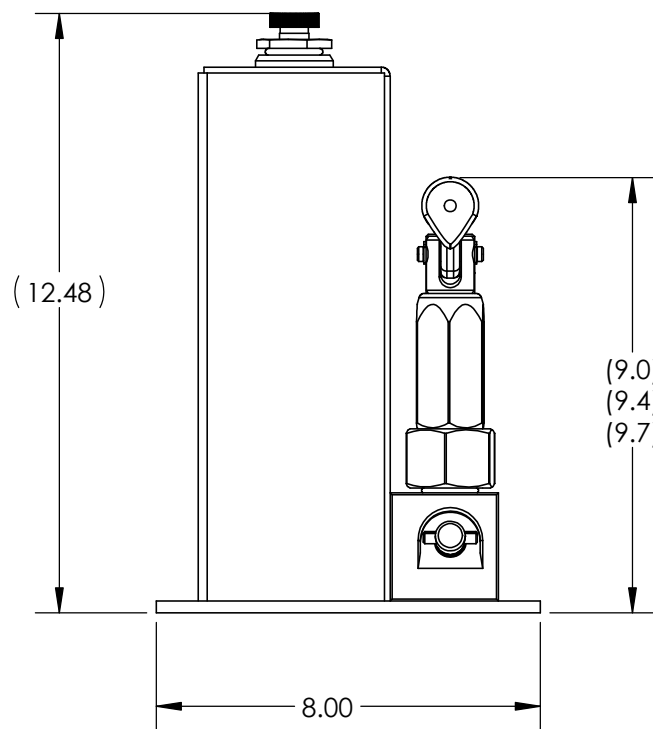
C

B

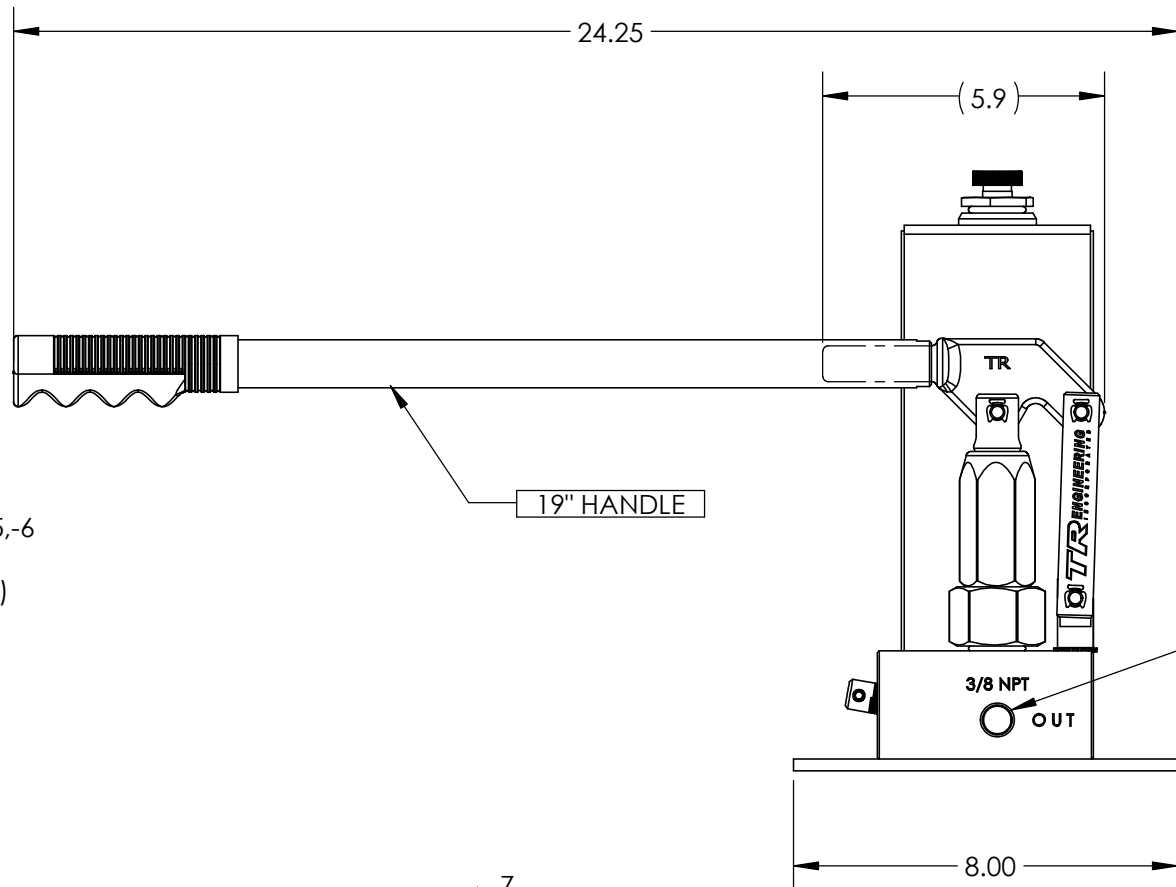
B

A

A



(9.0) -3,-4,-5,-6
 (9.4) -8
 (9.7) -12(XX)

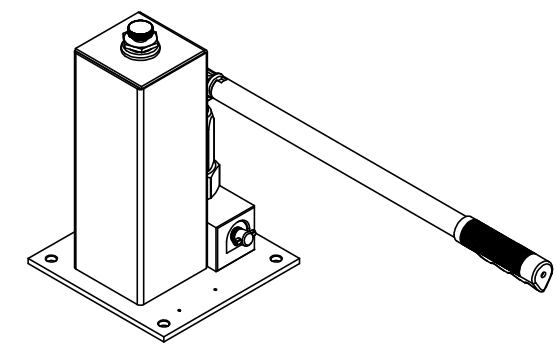
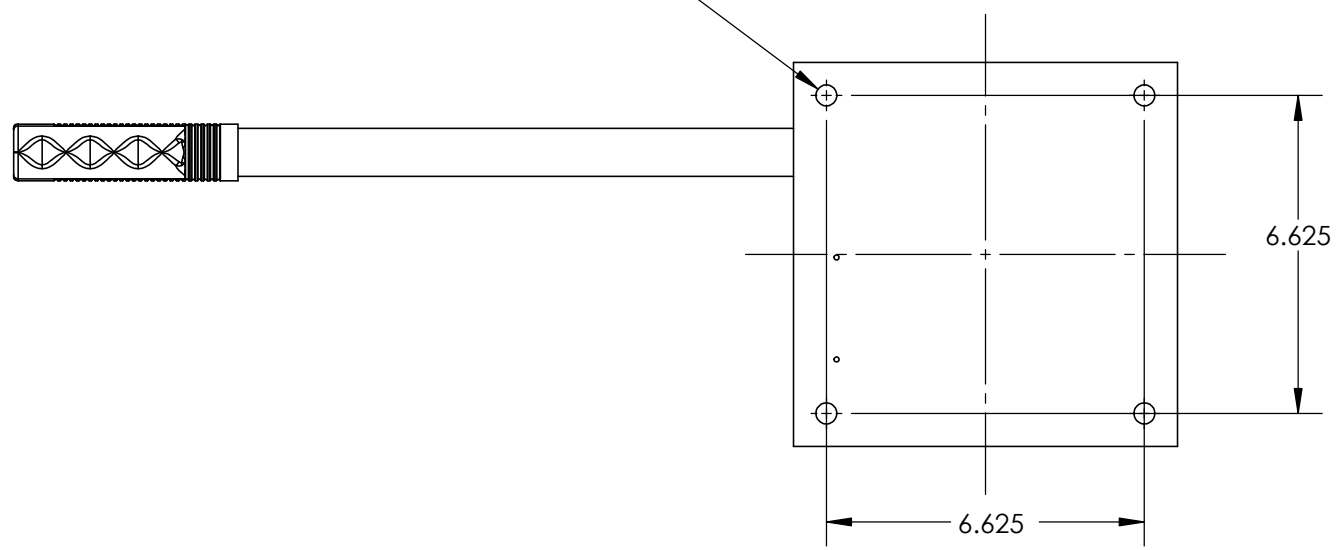


19" HANDLE

3/8 NPT
OUTLET

3/8 NPT
OUT

$\phi \frac{7}{16}$ " (4)



ISOMETRIC VIEW



1350 Green Hills Road #10, Scotts Valley, CA 95066 (831) 430-9920 (831) 430-9989 FAX

NAME	DATE	TITLE:
DRAWN		INSTALLATION DRAWING
CHKD		
	2024	INSTALLATION DRAWING
P/N	100-X-150	REV
	100-XX-150	
DO NOT SCALE		SHEET 1 OF 2

8

7

6

5

4

3

2

1