

8

7

6

5

4

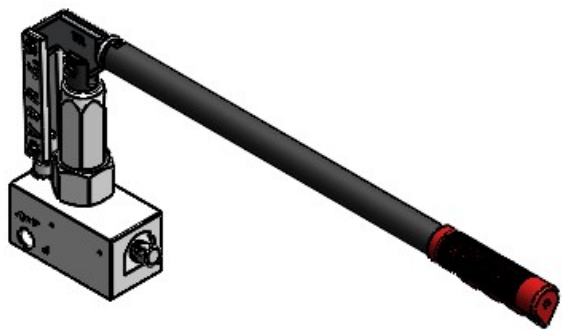
3

2

1

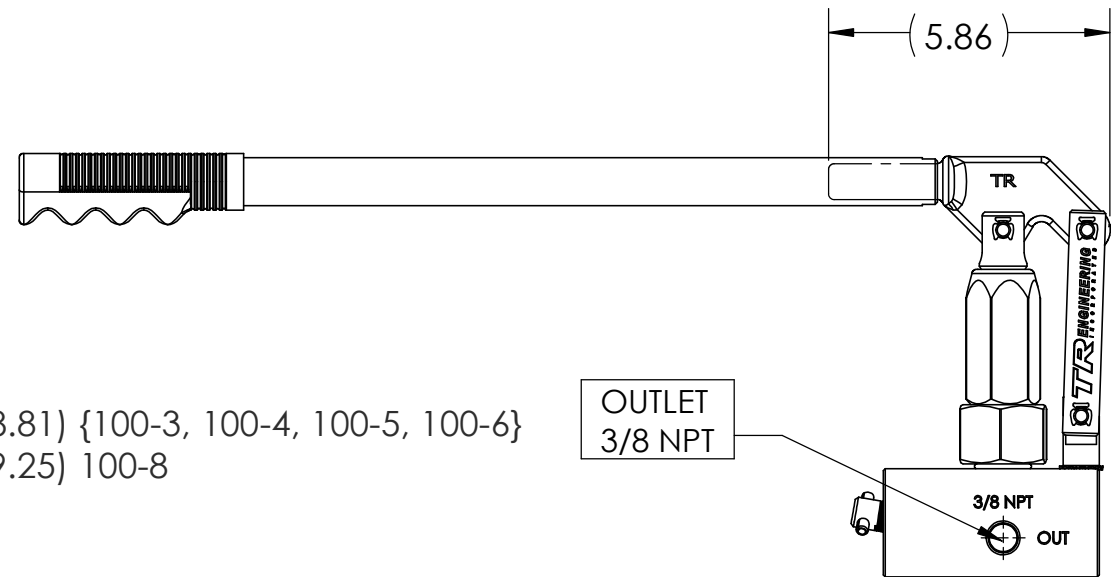
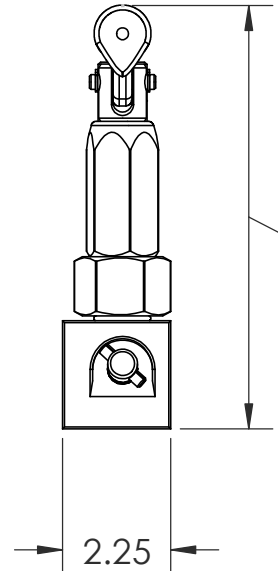
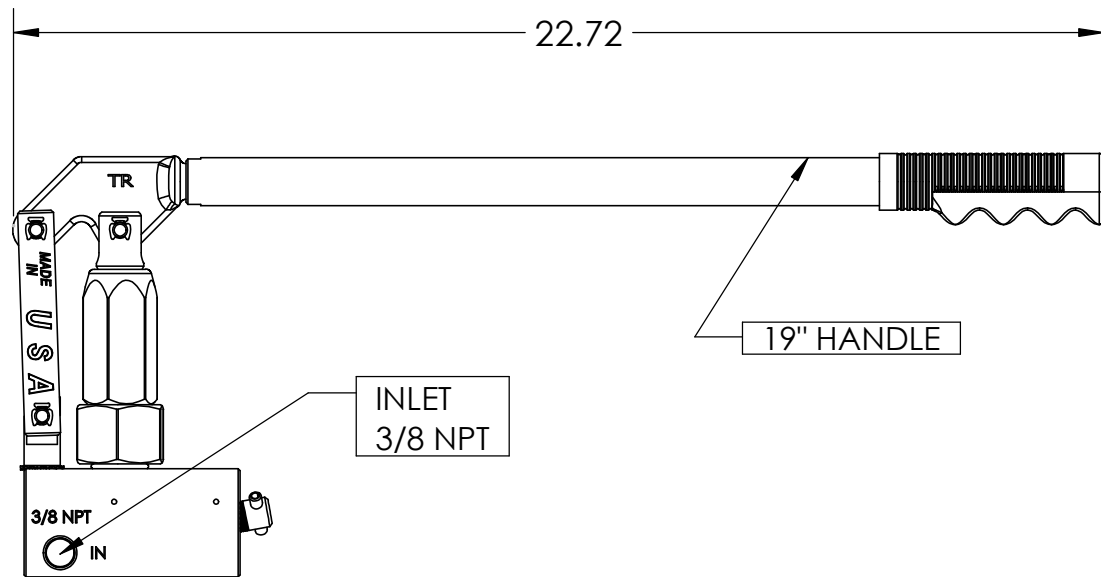
D

D



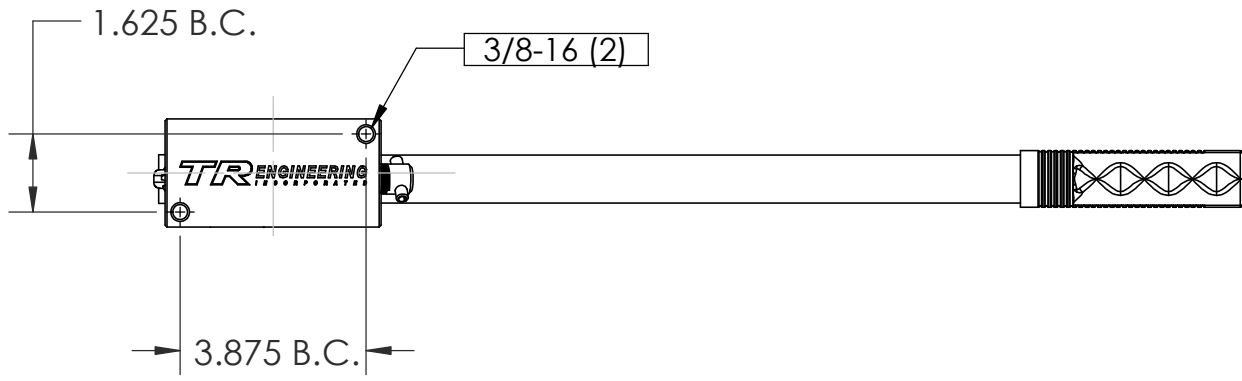
C

C



B

B



A

A

TR ENGINEERING
INCORPORATED

1350 Green Hill Road 410, Scotts Valley, CA 95066 (831) 430-9920 (831) 430-9989 Fax

NAME	DATE	TITLE:
DRAWN		100-X SERIES MODULAR PUMP
	2024	INSTALLATION DWG
P/N		REV

SHEET 1 OF 2

8

7

6

5

4

3

2

1