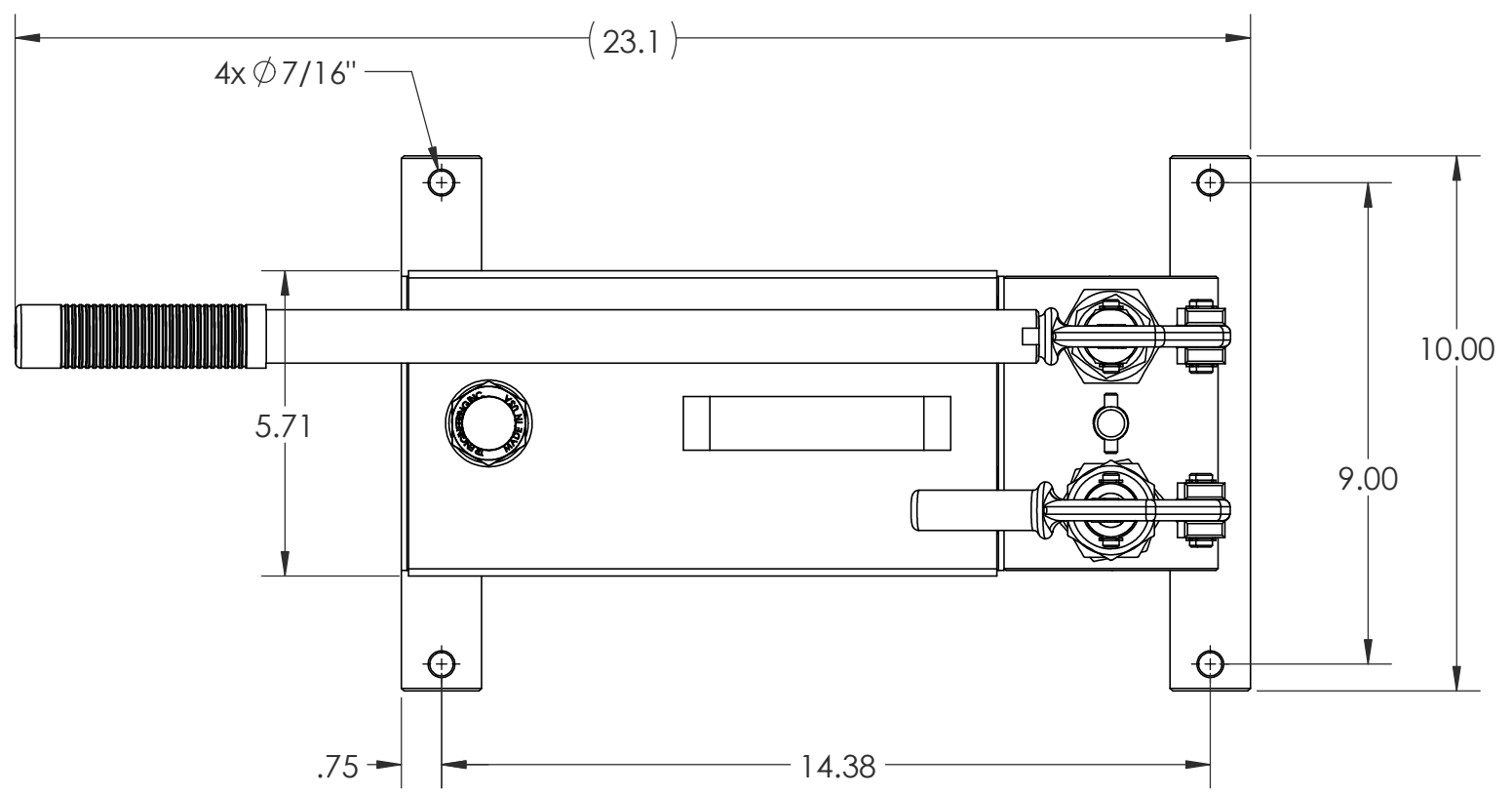
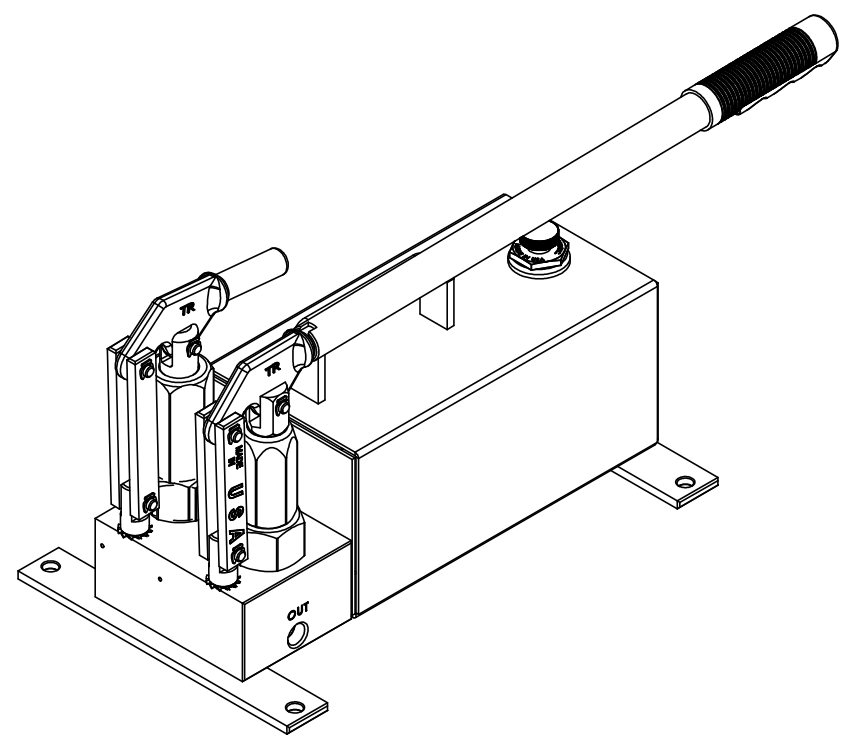


8 7 6 5 4 3 2 1

D



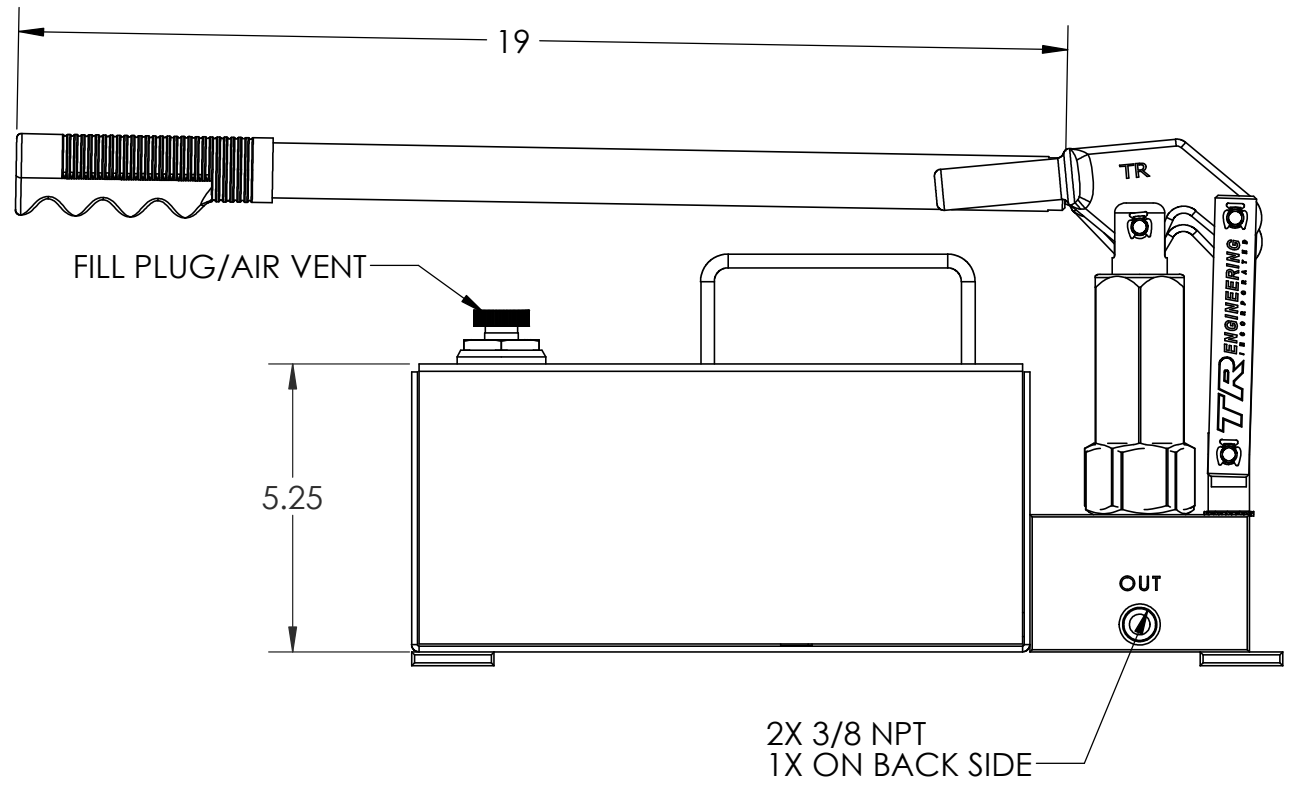
D



ISOMETRIC VIEW

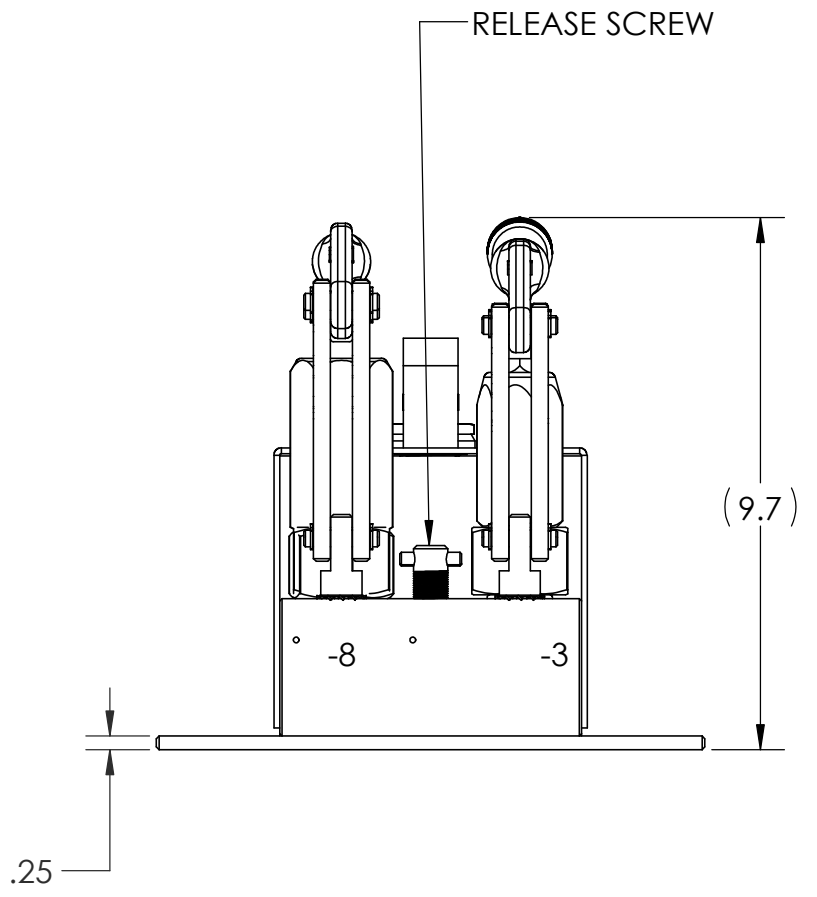
C

C



B

B



A

A



1350 Green Hill Road 410, Scotts Valley, CA 95066 (831) 430-9920 (831) 430-9989 Fax

NAME	DATE	TITLE:
DRAWN		INSTALLATION DRAWING
CHECK		
APPRV		
2024		INSTALLATION DRAWING
SIZE	P/N	REV
B	200-X-X-300	
SCALE: 1:3		SHEET 1 OF 2

8 7 6 5 4 3 2 1