

8

7

6

5

4

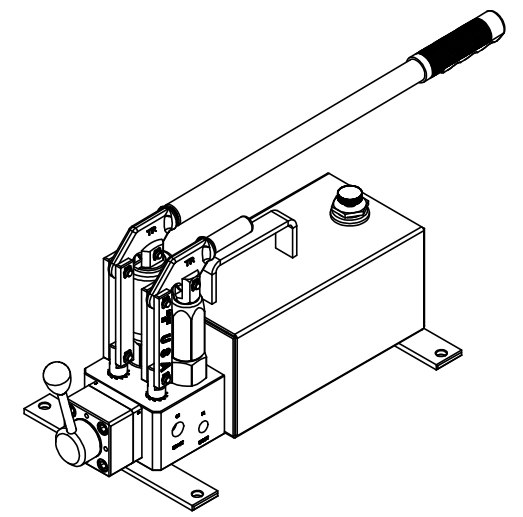
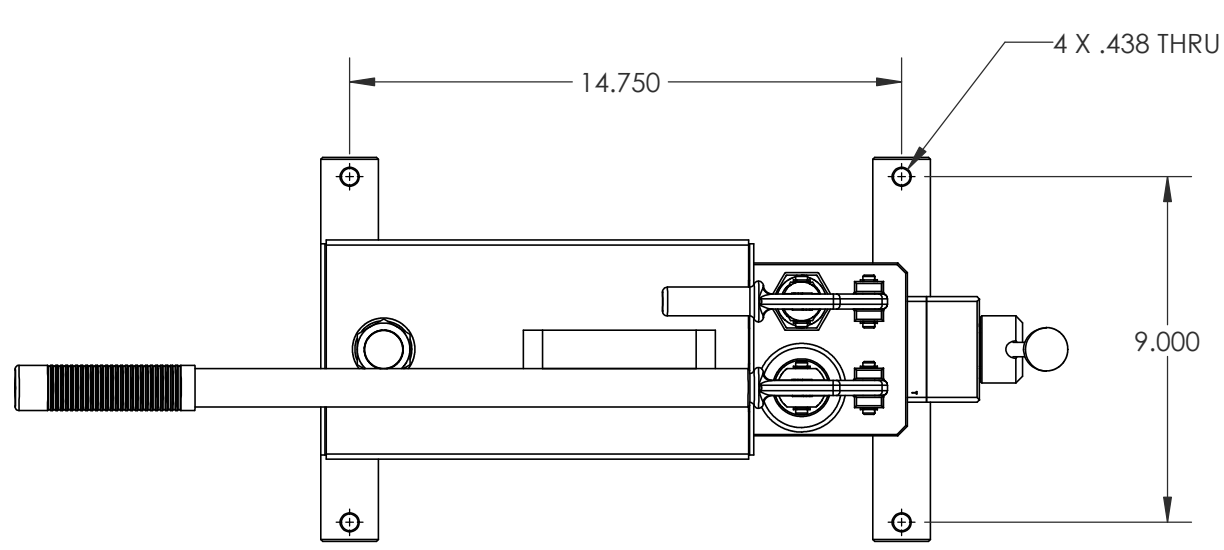
3

2

1

D

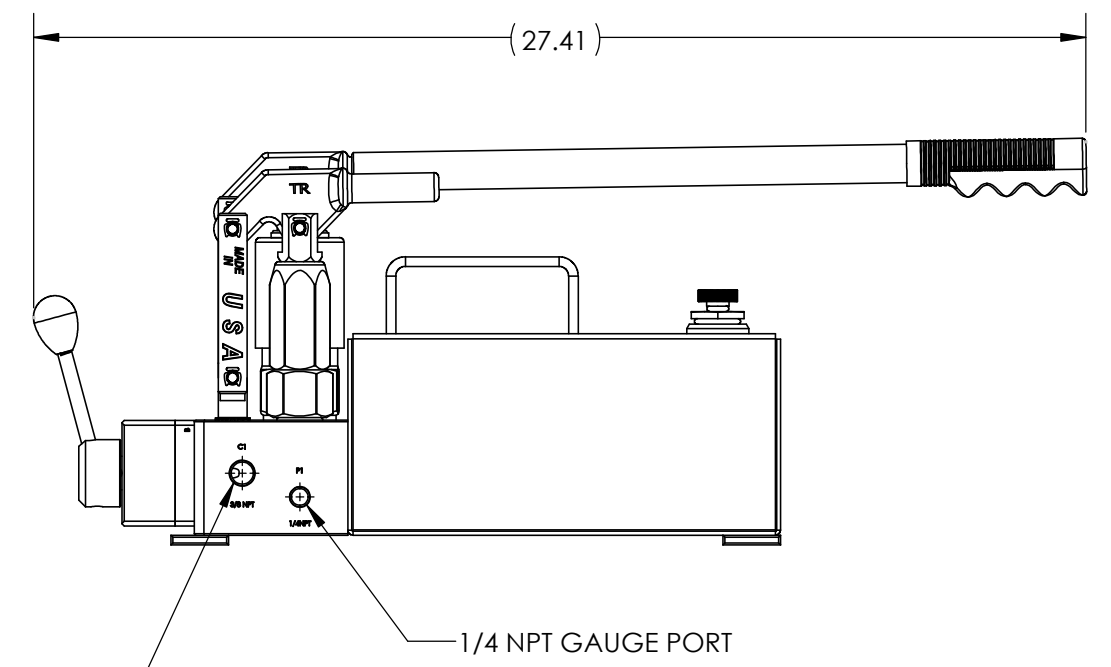
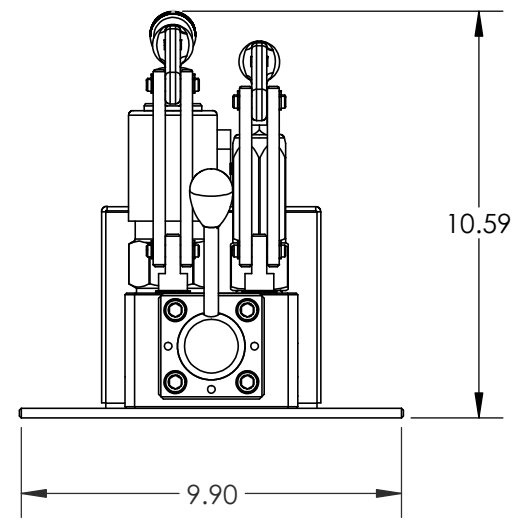
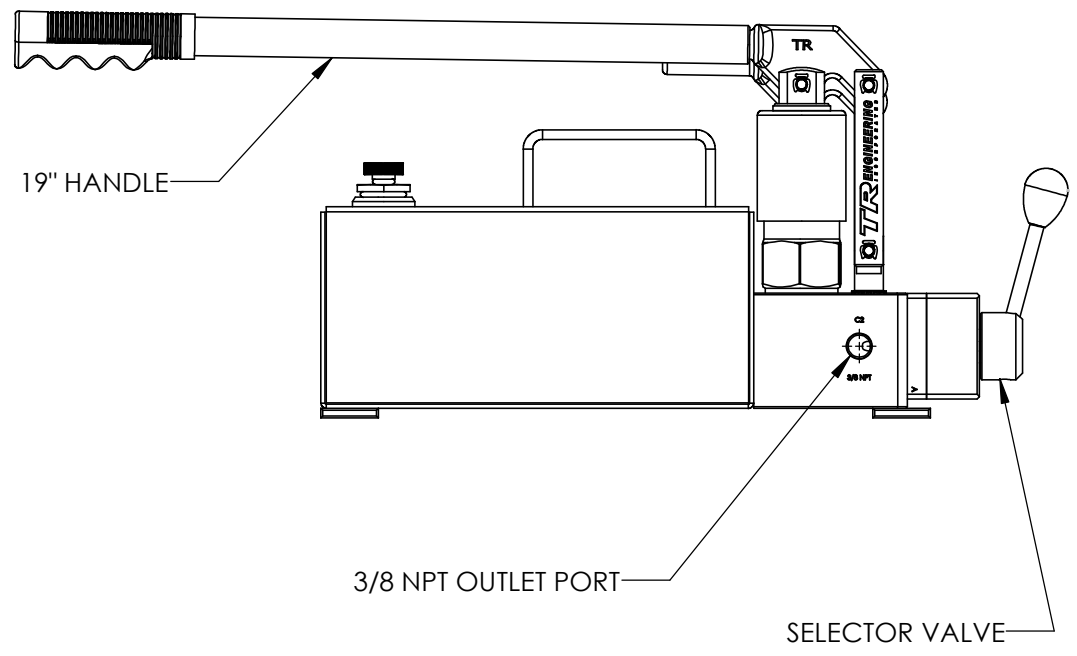
D



ISOMETRIC VIEW

C

C



B

B

A

A

TR ENGINEERING
INCORPORATED

1350 Green Hills Road #10, Scotts Valley, CA 95066 (831) 430-9920 (831) 430-9989 FAX

NAME	DATE	TITLE:
DRAWN		INSTALLATION DRAWING
	2024	INSTALLATION DWG
P/N	200-X-X-300S	REV
DO NOT SCALE		SHEET 1 OF 2

8

7

6

5

4

3

2

1