

8

7

6

5

4

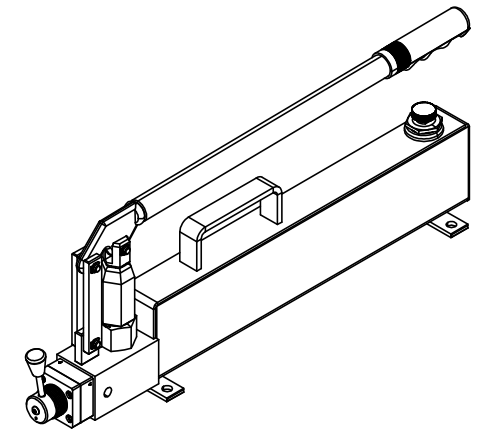
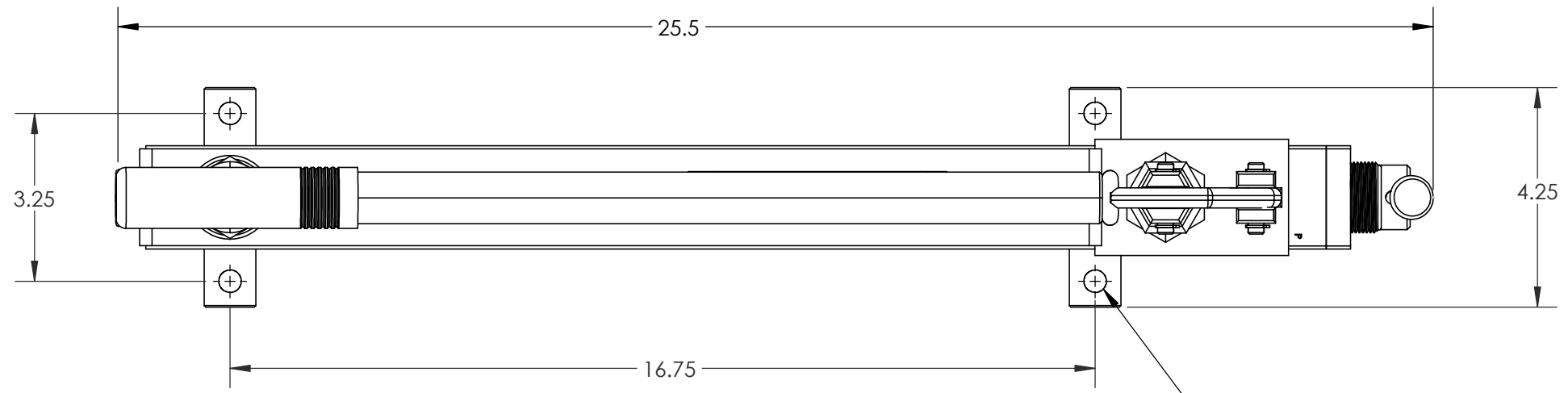
3

2

1

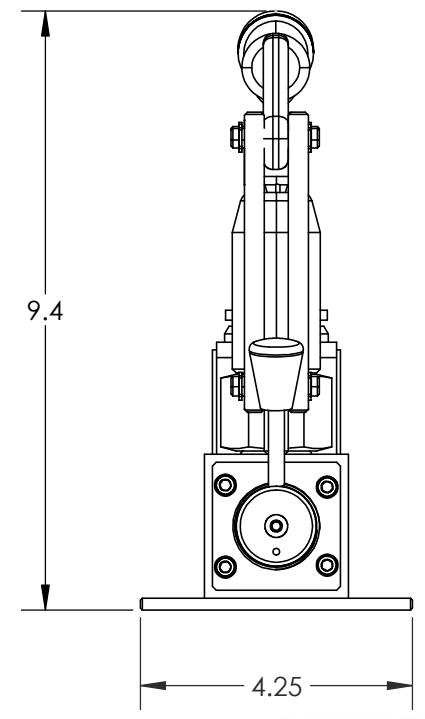
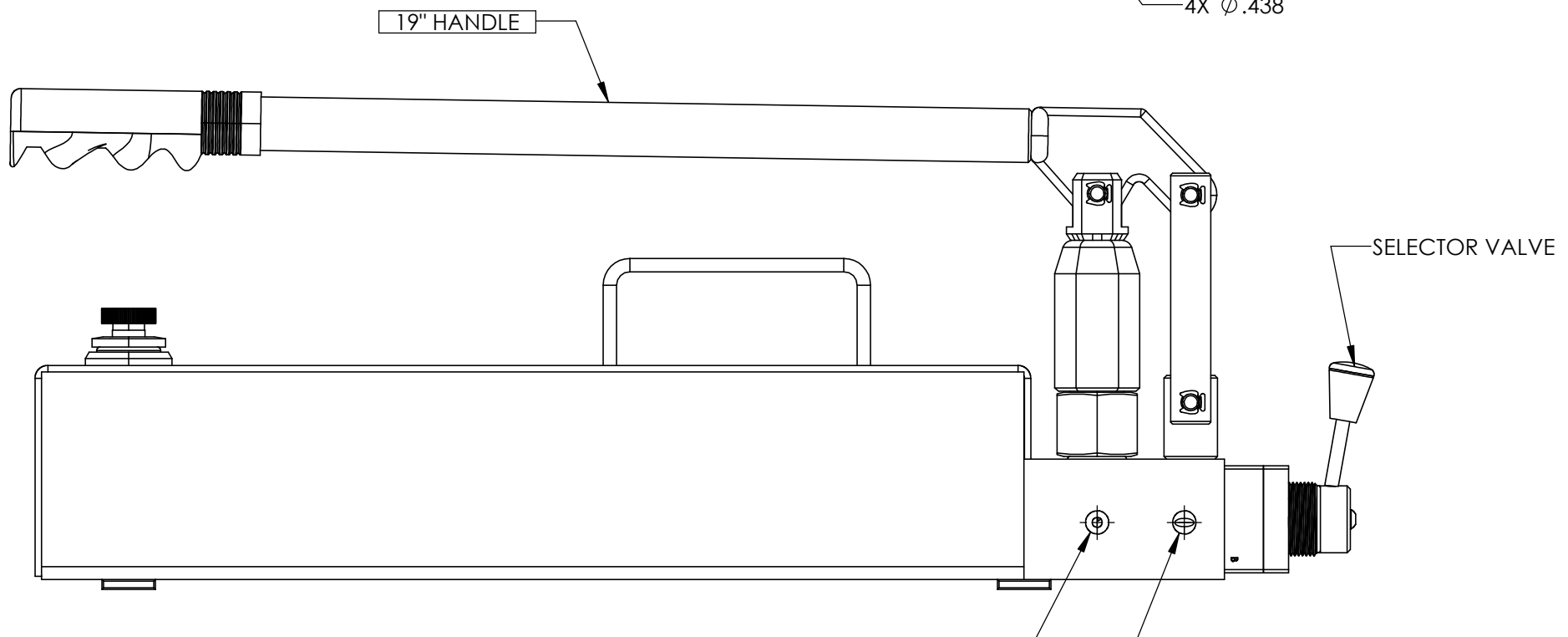
D

D



C

C



B

B

GAUGE PORT
1/4-18 NPT

1/4-18 NPT
C1 ON BACK



1350 Green Hills Road #10, Scotts Valley, CA 95066 (831) 430-9920 (831) 430-9989 FAX

NAME	DATE	TITLE:
DRAWN		INSTALLATION DRAWING
	2024	INSTALLATION DWG
P/N	HV100-X-120	REV
DO NOT SCALE	SHEET 1 OF 2	

A

A

8

7

6

5

4

3

2

1