

8

7

6

5

4

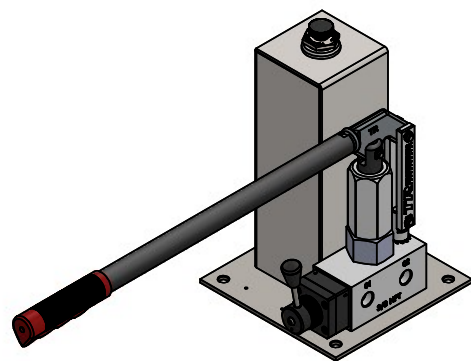
3

2

1

D

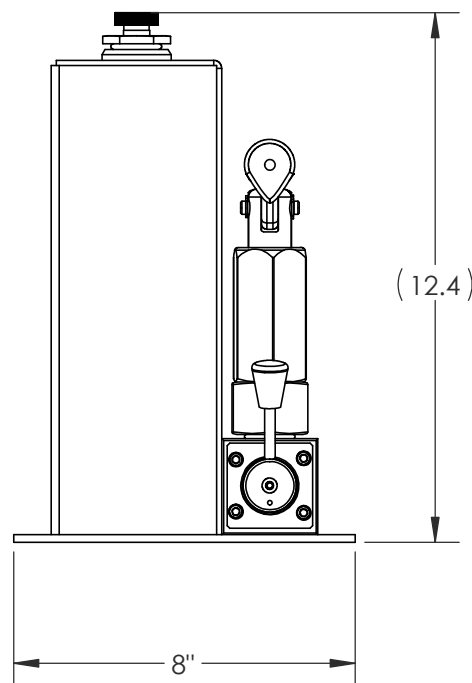
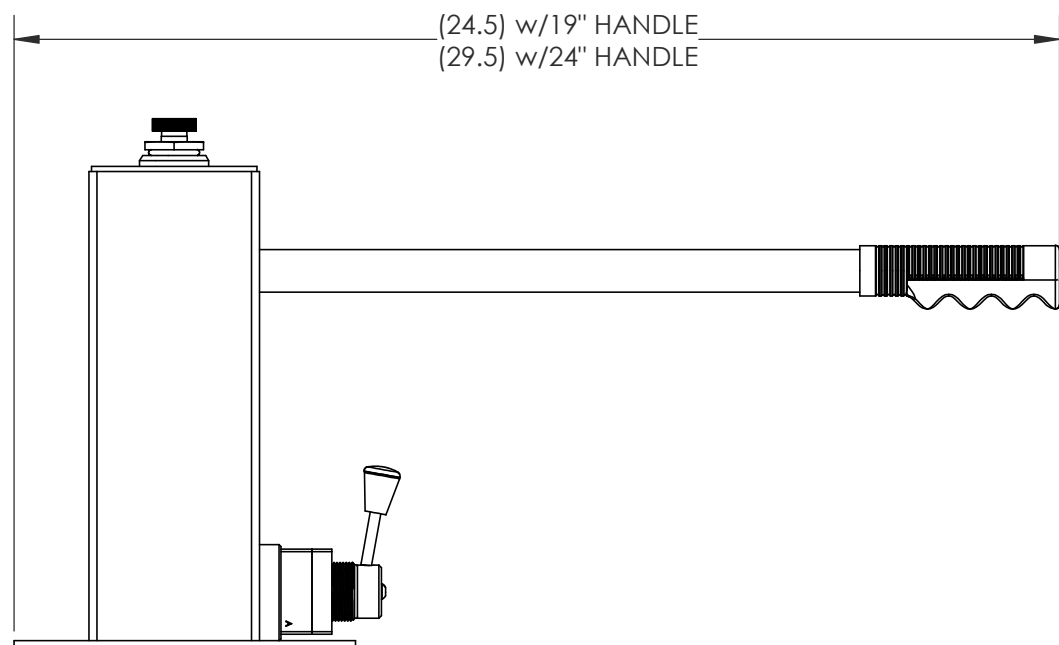
D



(24.5) w/19" HANDLE  
(29.5) w/24" HANDLE

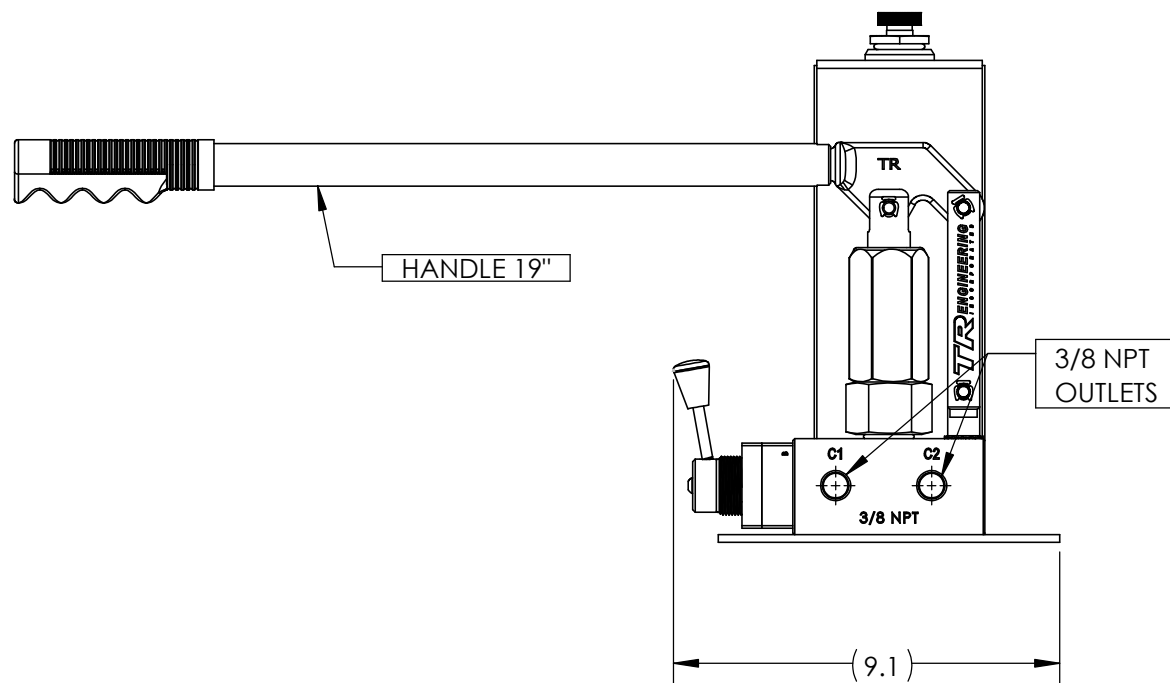
C

C



(12.4)

8"



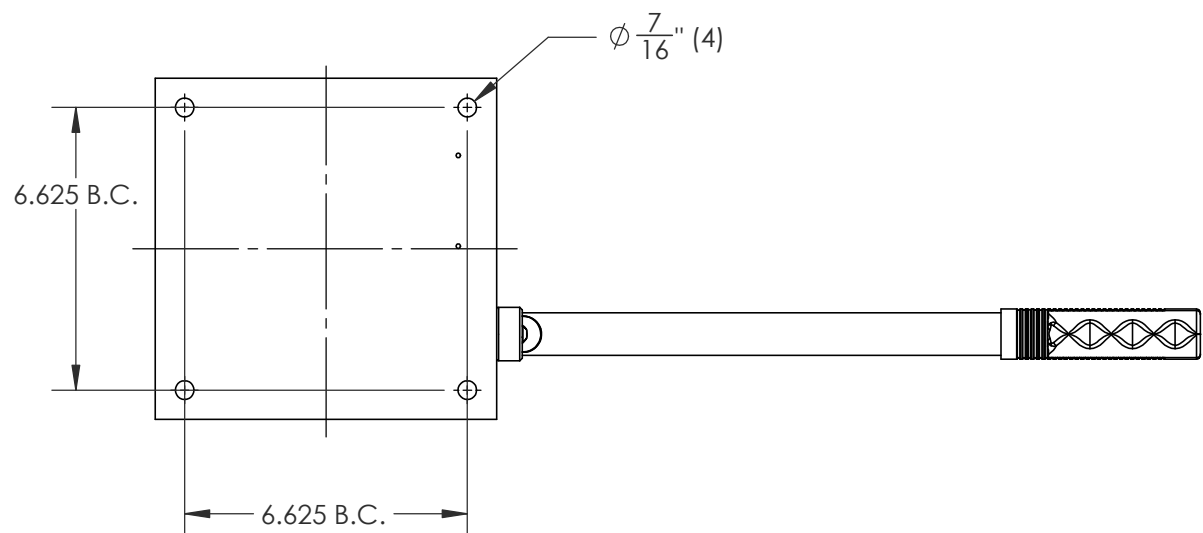
HANDLE 19"

3/8 NPT  
OUTLETS

(9.1)

B

B



$\phi \frac{7}{16}$ " (4)

6.625 B.C.

6.625 B.C.

A

A



1350 Green Hills Road #10, Scotts Valley, CA 95066 (831) 430-9920 (831) 430-9989 FAX

NAME	DATE	TITLE:
DRAWN		INSTALLATION DRAWING
	2024	INSTALLATION DWG
P/N	HV100-X-150	REV
DO NOT SCALE		SHEET 1 OF 2

8

7

6

5

4

3

2

1